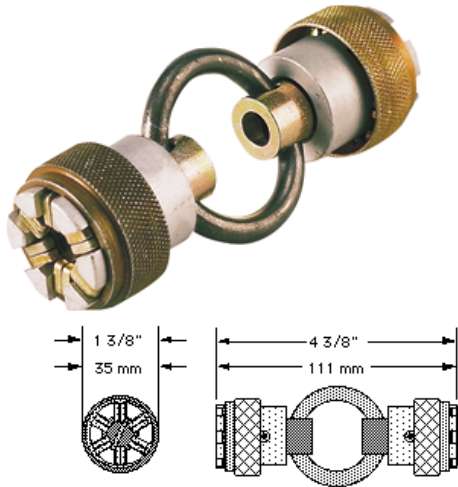


Sound Motions Inc.

475 Thrush Rd • PO Box 1907
Big Bear Lake, California 92315-1907
Voice 909-878-9104
FAX 909-878-4248
E-Mail: stan_miller@mac.com

REV. 3/6/2016

Product Information



\$63.40

SM-10B

The SM-10B is two aircraft type 12-jaw fittings on a single 1-1/2 inch welded hardened steel ring.

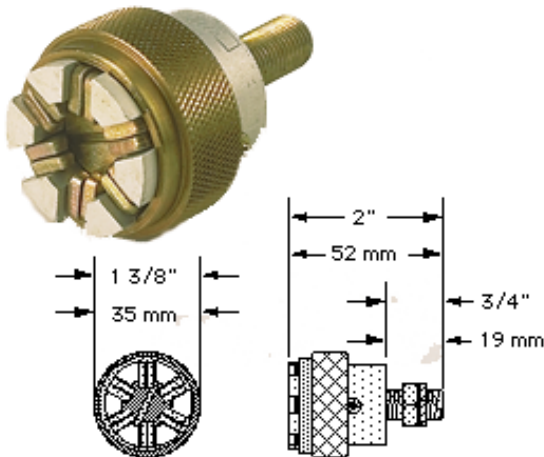
This new all steel fitting, like all of the parts in this series, it has been "pull" tested to over 1800 pounds in any direction, with no damage to the speaker cabinet or the fitting.

It is used when a "flexible" joint is needed to attach cabinets together and is load rated for overhead use.

Ship Weight

0.32 Kg.

0.7 Lbs.



\$33.80

SM-17B

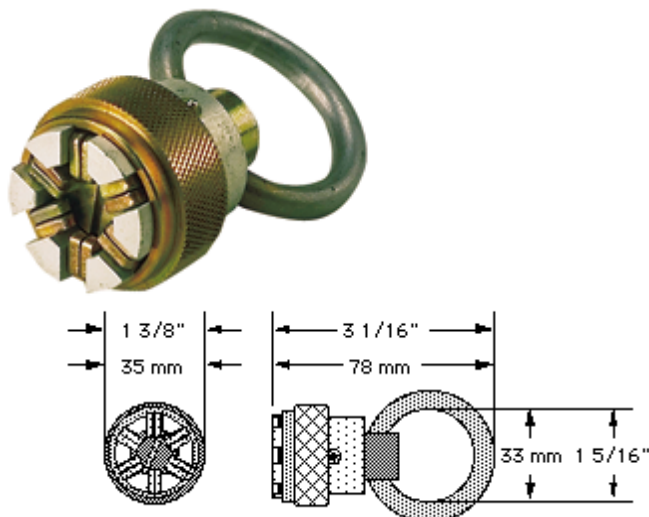
The SM-17B is an all steel aircraft type 12-jaw fitting with a single 3/4-inch 3/8-24UNF threaded stud. A mating plastic insert locking nut is shipped with each fitting.

This load rated fitting is primarily used for permanent installations to secure cabinets to custom steel, and/or aluminum structures. Like all of the grabber type hardware, it fits the standard aircraft stud bolt used on many manufacturers speaker systems.

Ship Weight

0.11 Kg.

0.3 Lbs.



\$42.40

SM-19B

The SM-19B is a single aircraft type grabber on a single 1-1/2 inch welded hardened steel ring. This is a NEW all steel part.

It's primary use is an all purpose pickup point for speaker systems with the pan/stud fitting on the cabinet.

This load rated fitting is most often used for permanent installations, and lends itself to use with steel aircraft cable.

Ship Weight

0.23 Kg.

0.5 Lbs.