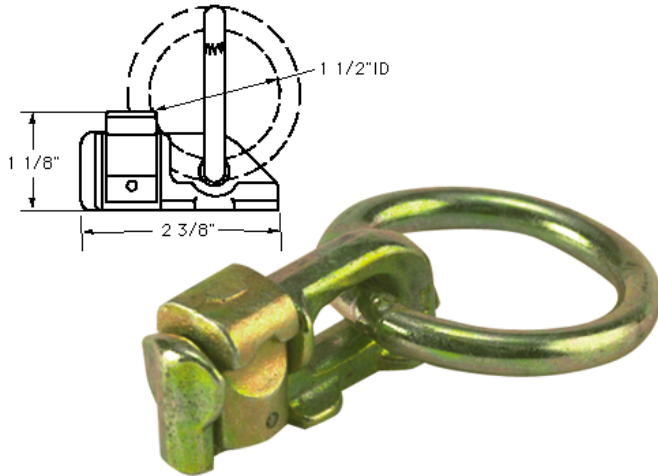


# Sound Motions Inc.

475 Thrush Rd • PO Box 1907  
Big Bear Lake, California 92315-1907  
Voice 909-878-9104  
FAX 909-878-4248  
E-Mail: stan\_miller@mac.com

REV. 3/7/2016

## Product Information



**\$11.25**

### SM-61NH

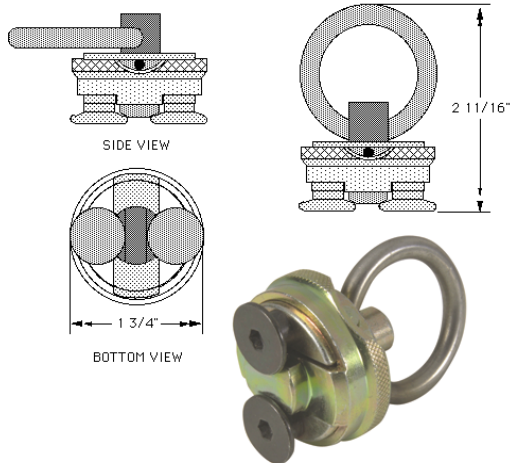
The SM-61NH is a double indexing aircraft type "L" track fitting with a 1-3/4" welded hardened steel ring. It has a gold color finish and is not a full swivel fitting. It's principal use is as a cargo tiedown. It fits standard "L" track commonly used on speaker cabinets and can be used as a secondary safety fitting. IT IS NOT RATED FOR OVERHEAD USE AND SHOULD NOT BE USED AS A PRIMARY FITTING TO HANG EQUIPMENT OVERHEAD.

Safe Working Load is 500 pounds.

**Ship Weight**

**0.11 Kg.**

**0.3 Lbs.**



**\$58.36**

### SM-61B

The SM-61B is an all steel double indexing aircraft type "L" track fitting with a 1-3/4" welded hardened steel ring that can swivel 360 degrees. A special locking pin prevents accidental release from the track. It is a high quality military specification precision part and is approved for overhead use.

Safe Working Load for this fitting is 500 pounds and it is rated for overhead use.

**Ship Weight**

**0.23 Kg.**

**0.5 Lbs.**



**\$111.72**

### SM-61BT

The SM-65B is two all steel double indexing locking "L" track fittings with two 1-3/4" welded hardened steel rings that can swivel 360 degrees. This fitting will allow the hanging of one cabinet below another, if track is fitted to the top and bottom of each cabinet.

It is a Load Rated fitting with a Safe Working Load of 500 LBS. It can safely be unused in both permanent and temporary applications and is rated for overhead use. You may special order this fitting with a single ring.

**Ship Weight**

**0.45 Kg.**

**1.0 Lbs.**

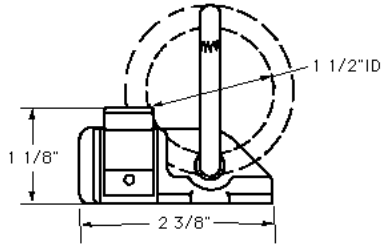


# Sound Motions Inc.

475 Thrush Rd • PO Box 1907  
Big Bear Lake, California 92315-1907  
Voice 909-878-9104  
FAX 909-878-4248  
E-Mail: stan\_miller@mac.com

REV. 3/7/2016

## Product Information



**\$11.25**

### SM-61NHB

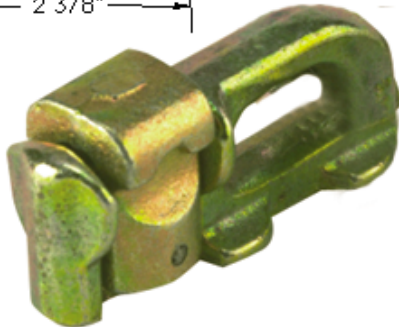
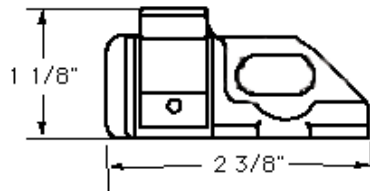
The SM-61NHB is a double indexing aircraft type "L" track fitting with a 1-3/4" welded hardened steel ring. A non swivel fitting with a BLACK finish. It's principal use is as a cargo tiedown. It fits standard "L" track commonly used on speaker cabinets and can be used as a secondary safety fitting. IT IS NOT RATED FOR OVERHEAD USE AND SHOULD NOT BE USED AS A PRIMARY FITTING TO HANG EQUIPMENT OVERHEAD.

Safe Working Load is 500 pounds.

**Ship Weight**

**0.11 Kg.**

**0.3 Lbs.**



**\$7.30**

### SM-61NHNR

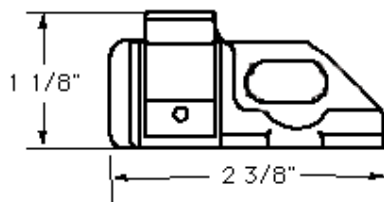
The SM-61NHNR is a double indexing aircraft type "L" track fitting without the hardened steel ring and a gold color finish. It's principal use is as a cargo tiedown. It fits standard "L" track commonly used on speaker cabinets and can be used as a secondary safety fitting. IT IS NOT RATED FOR OVERHEAD USE AND SHOULD NOT BE USED AS A PRIMARY FITTING TO HANG EQUIPMENT OVERHEAD.

Safe Working Load is 500 pounds.

**Ship Weight**

**0.11 Kg.**

**0.3 Lbs.**



**\$8.40**

### SM-61NHBNR

The SM-61NHBNR is a double indexing aircraft type "L" track fitting less the hardened steel ring and BLACK finish. It's principal use is as a cargo tiedown. It fits standard "L" track commonly used on speaker cabinets and can be used as a secondary safety fitting. IT IS NOT RATED FOR OVERHEAD USE AND SHOULD NOT BE USED AS A PRIMARY FITTING TO HANG EQUIPMENT OVERHEAD.

Safe Working Load is 500 pounds.

**Ship Weight**

**0.11 Kg.**

**0.3 Lbs.**